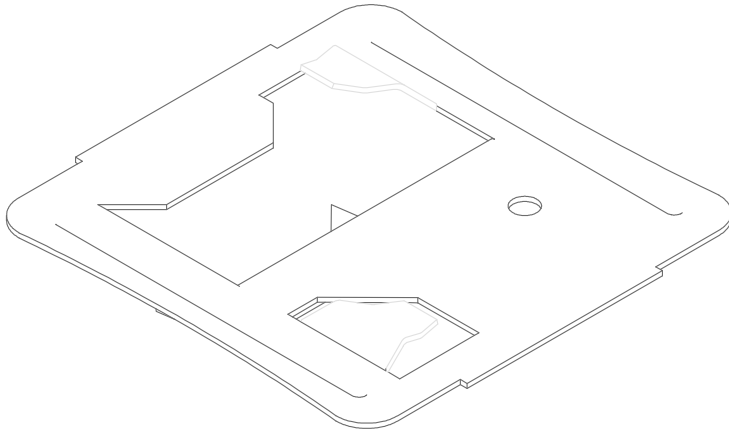
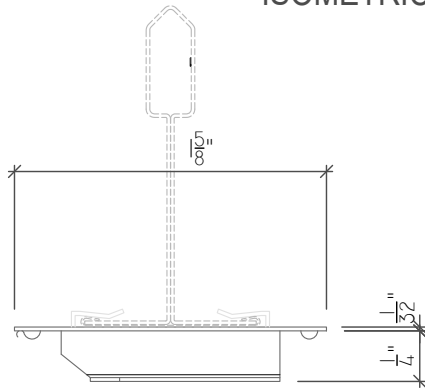


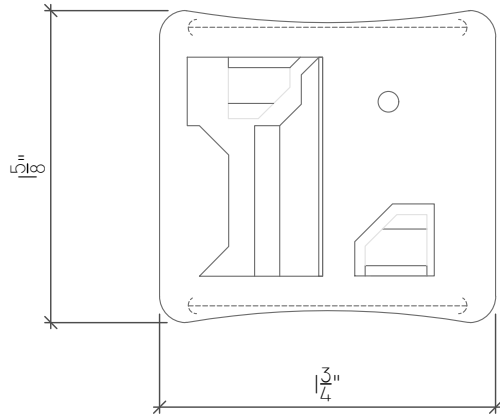
PROPRIETARY DATA/CONFIDENTIAL  
 NO PART OF THIS DRAWING IS TO BE DISCLOSED  
 TO OTHERS WITHOUT THE EXPRESS WRITTEN  
 PERMISSION OF "RPG ACOUSTICAL SYSTEMS - LLC."



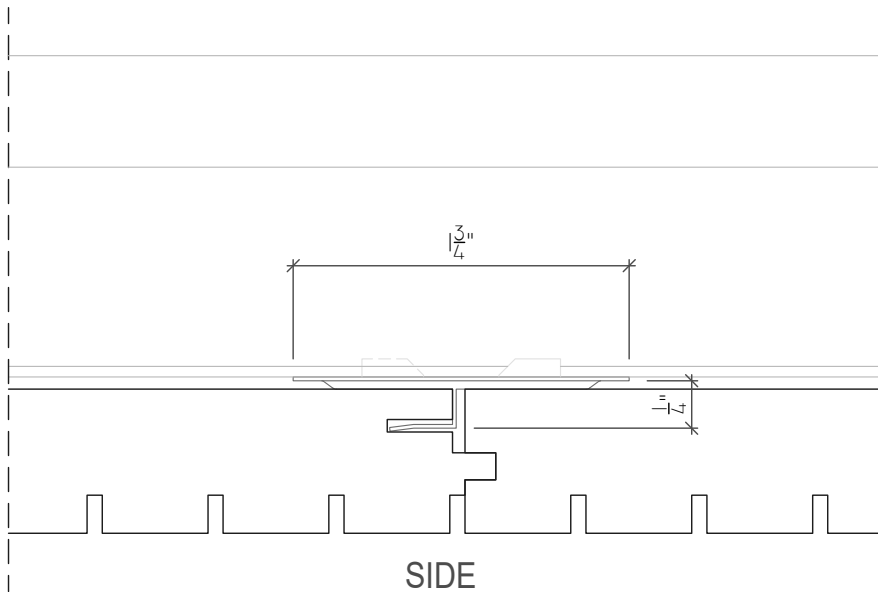
ISOMETRIC



FRONT



TOP



SIDE



99 SOUTH STREET, PASSAIC, NJ 07055  
 (P) 973-916-1166 (E) estimating@rpgacoustic.com

Title: TURNING CLIP  
 CUT SHEET

Proj: RPG PRODUCT

Date: 9/29/20

Path: F:\Project Mgmt - RPG\RPG PRODUCTS\ALL PRODUCTS DRAWING\Hardware\Turning Clip\Turning Clip - cut sheet

JOB#:

Scale: N15

Label:

Line Item:

QTY.

#