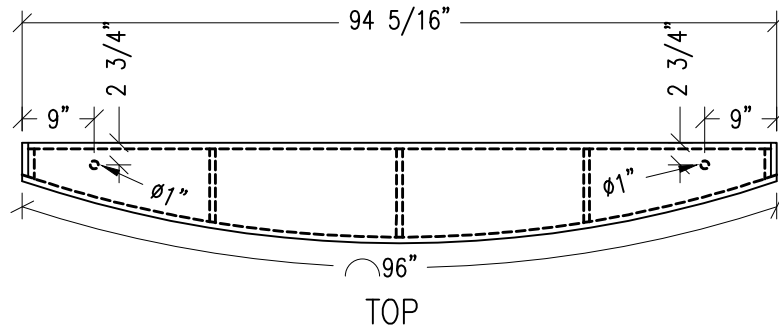
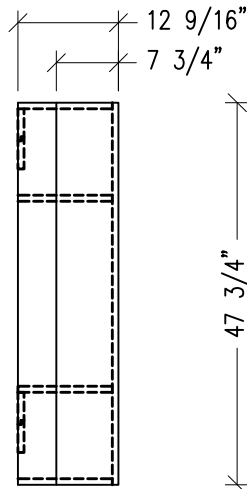


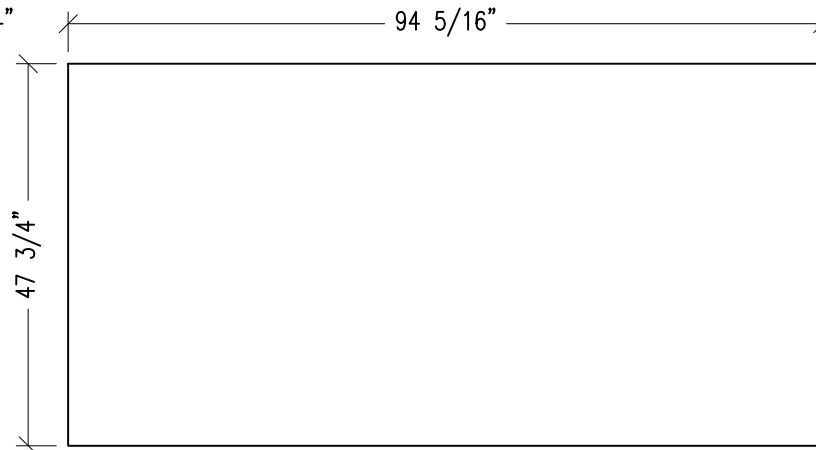
ISOMETRIC



TOP



END



FACE

WFMWS2 – STANDARD MONORADIAL – 4" RETURNS

PARTS FROM 3/4" PLYWOOD

4 RIBS-XX"x~4" (FROM ROUTER)

8 PCS. @ 11"x10.8125" M1S CUT TO FIT

2 PCS. @ 4"x47.75"

1 PC. PER 4 UNITS @ 4"x96"

4 CLEAT PCS. @ 4"x92.8125"



99 SOUTH STREET, PASSAIC, NJ 07055  
(P) 973-916-1166 (E) estimating@rpgacoustic.com

Title: RPG WAVEFORM MONORADIAL - R CUTSHEET

Proj: RPG PRODUCT

Date: 8/24/22 By: JLP Scale: N15

Path: F:\Project Mgmt - RPG\RPG PRODUCTS\ALL PRODUCTS DRAWING\WFMW\_Waveform Monoradial W\1-AutoCAD Drawings\Cutsheet\Monoradial W WR- Cutsheet R1

Comments:

---



---



---



---



---