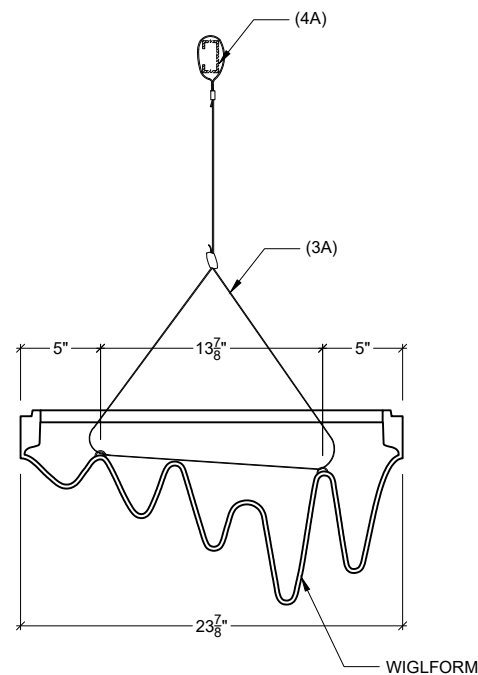
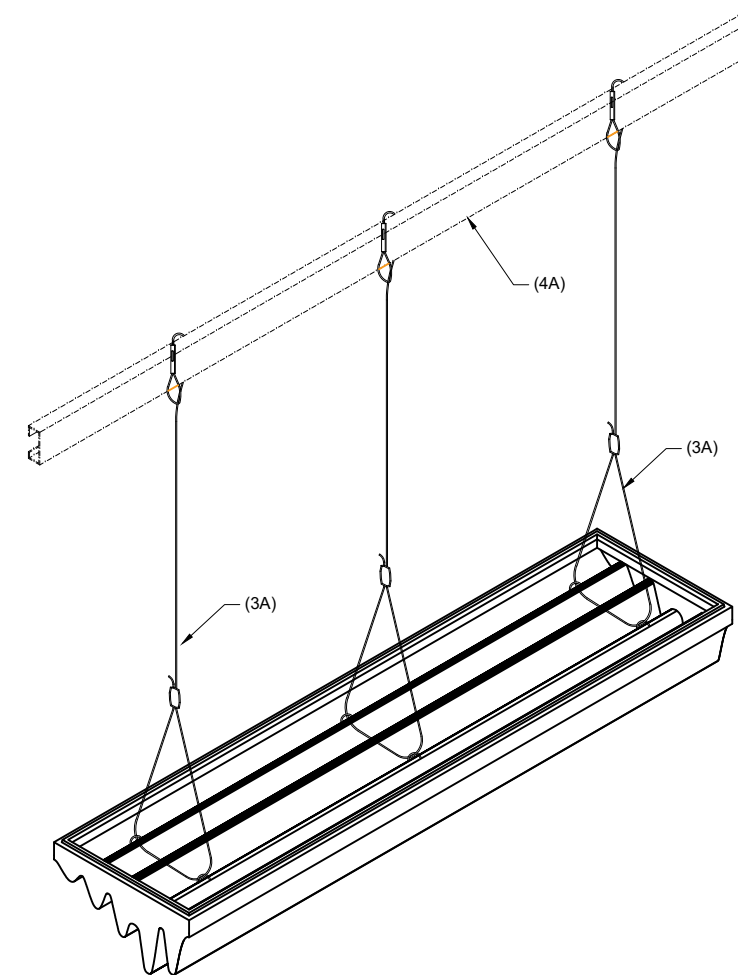


A FRONT VIEW
SCALE: 3/4"=1'-0"
ARCH'T REF.:



I PLAN SECTION
SCALE: 1"=1'-0"
ARCH'T REF.:



- ISOMETRIC VIEW
SCALE: NONE
ARCH'T REF.:

PLEASE VERIFY AND APPROVE
ITEMS LISTED BELOW

- (1) CORES
- FIRE RATED CLASS A
 - FIRE RATED PARTICLE BOARD
 - NO ADDED UREA FORMALDEHYDE
 - LEED
 - FSC
 - OTHER

PROPRIETARY DATA/CONFIDENTIAL
NO PART OF THIS DRAWING IS TO BE DISCLOSED TO
OTHERS WITHOUT THE EXPRESS WRITTEN PERMISSION OF
RPG ACOUSTICAL SYSTEMS, LLC.

(2) MATERIAL:

(3) HARDWARE:

(3A) GRIPPLE HF2-LG5, L=10'

(4) MATERIAL:

(4A) CEILING, METAL STRUCTURE



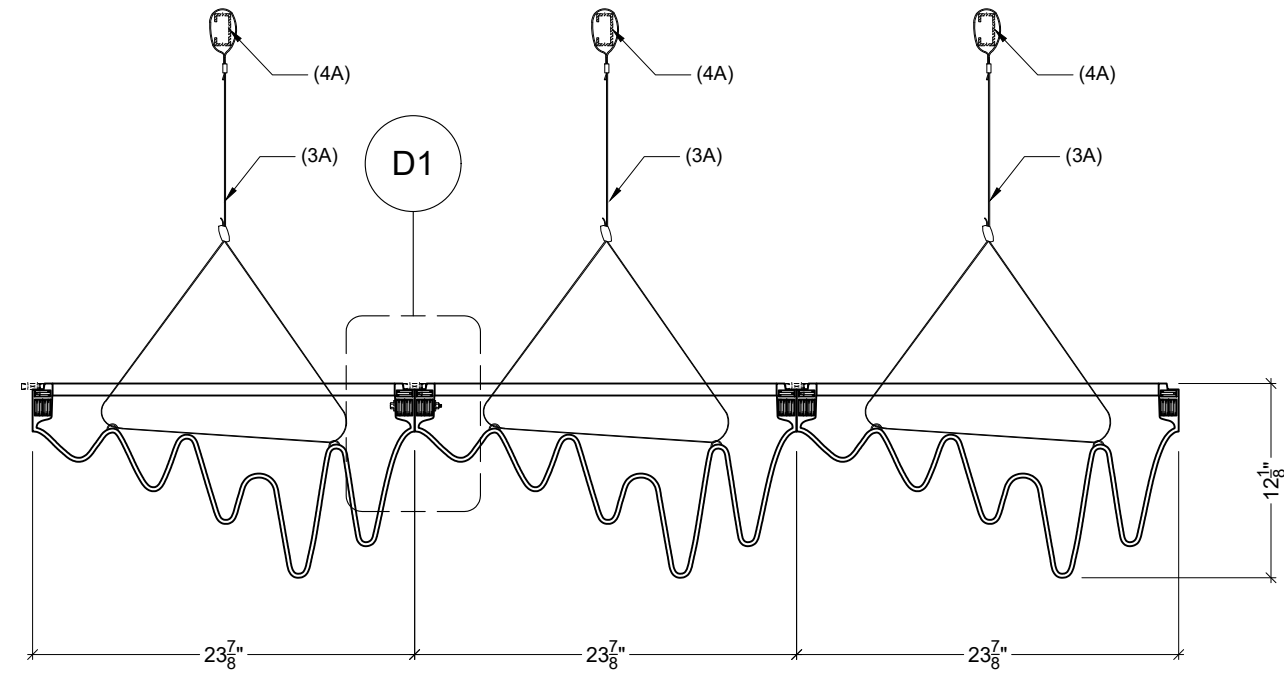
99 SOUTH STREET, PASSAIC, NJ 07055
(P) 973-916-1166 (E) estimating@rpgacoustic.com

Title: WAVEFORM WIGGLE G
CEILING MOUNT

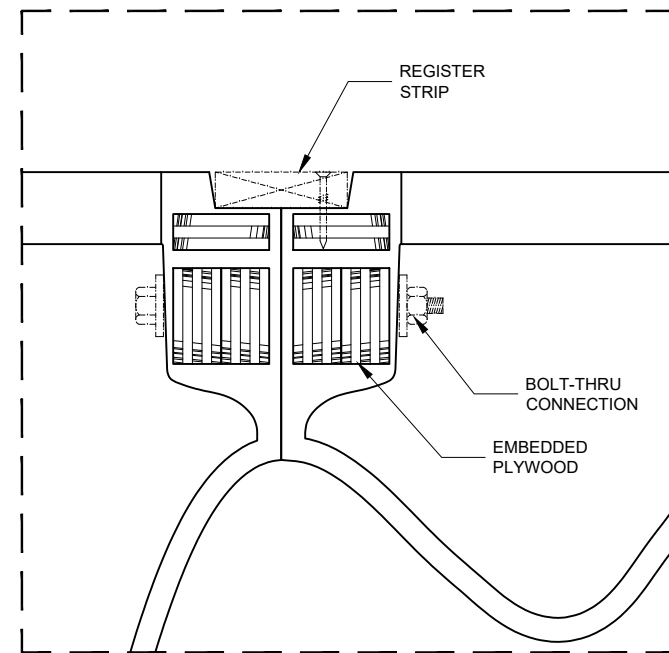
Proj: RPG PRODUCT

Date: 10/9/24 By: CV Scale: NTS

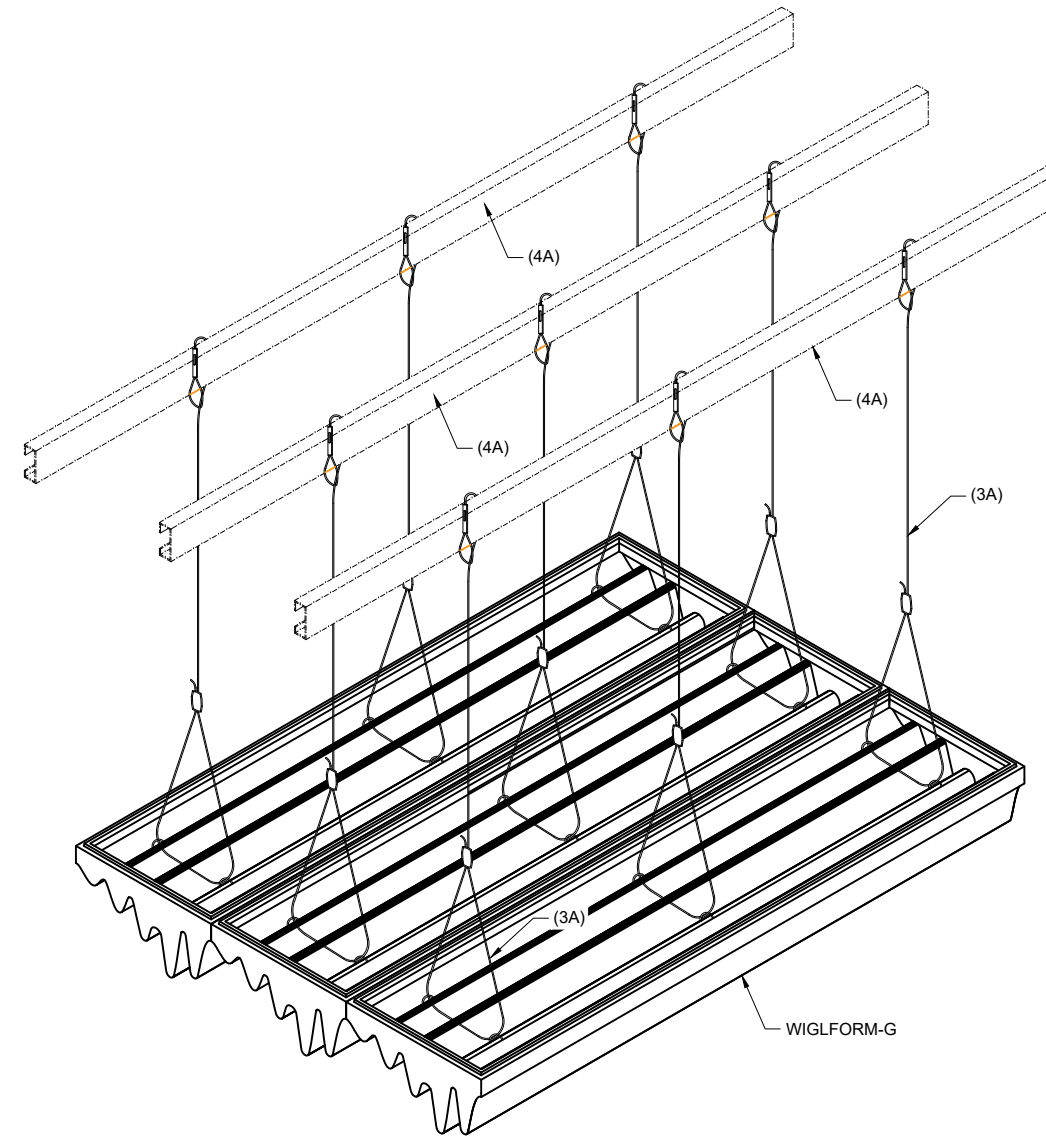
FABRICATION TOLERANCES:
PANEL DIMENSIONS: ±1/16"
PERFORATIONS: 0.05MM



IA PLAN SECTION
SCALE: 1"=1'-0"
ARCH'T REF.:



D1 DETAIL
SCALE: 6"=1'-0"
ARCH'T REF.:



- ISOMETRIC VIEW
SCALE: NONE
ARCH'T REF.:

PLEASE VERIFY AND APPROVE
ITEMS LISTED BELOW

- (1) CORES
- FIRE RATED CLASS A
 - FIRE RATED PARTICLE BOARD
 - NO ADDED UREA FORMALDEHYDE
 - LEED
 - FSC
 - OTHER

PROPRIETARY DATA/CONFIDENTIAL
NO PART OF THIS DRAWING IS TO BE DISCLOSED TO
OTHERS WITHOUT THE EXPRESS WRITTEN PERMISSION OF
RPG ACOUSTICAL SYSTEMS, LLC.

(2) MATERIAL:

(3) HARDWARE:

(3A) GRIPPLE HF2-LG5, L=10'

(4) MATERIAL:

(4A) CEILING, METAL STRUCTURE



99 SOUTH STREET, PASSAIC, NJ 07055
(P) 973-916-1166 (E) estimating@rpgacoustic.com

Title: WAVEFORM WIGGLE G
CEILING JOIN

Proj: RPG PRODUCT

Date: 10/9/24 By: CV Scale: NTS

FABRICATION TOLERANCES:
PANEL DIMENSIONS: ±1/16"
PERFORATIONS: 0.05MM